



iQ54 LED INSTALLATION INSTRUCTION

CUTTING - LEAD WIRE & JUMPER

Please read all instructions prior to installation and keep for future reference.

1. Product should be installed by a qualified electrician.
2. Prior to installation ensure power is off at the power supply center to prevent shock.
3. Use Q-Tran power supplies.
4. Suitable for Dry Locations.
5. Temp Rating: -4 degree to +113 degree.



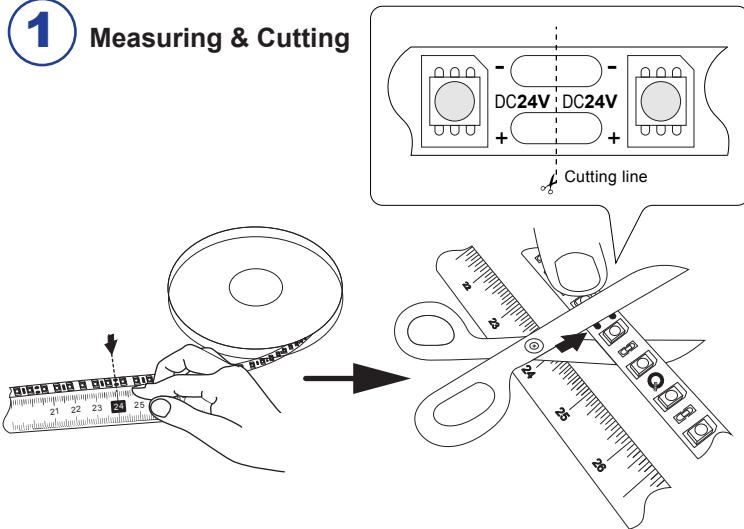
- Q-Tran tests all factory soldered leads before shipping to ensure LED is working.
- Thoroughly clean the area where the tape light is to be installed.

Materials

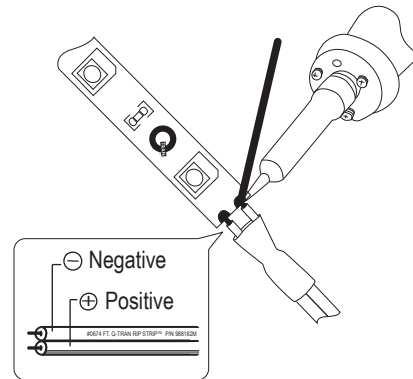
- LED Tape light
- Measuring Tape
- Scissors
- Heat Gun

*Q-Tran offers a full line of mounting extrusions / channels.

1 Measuring & Cutting



2 Solder lead wire onto terminal



* Confirm +, - are correct before soldering

Items includes (Lead Wire)

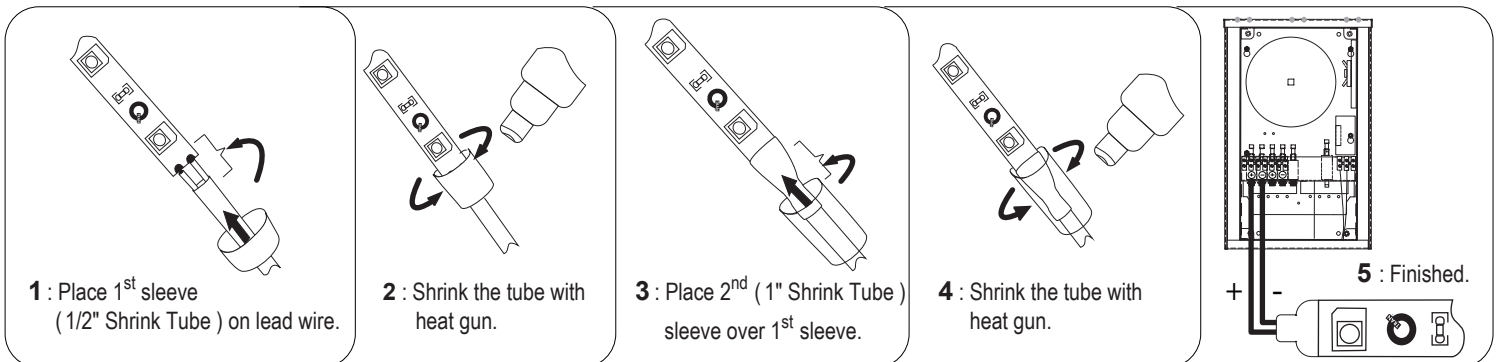
- (1) 18" Lead wire
- (1) 6" Solder
- (1) 2" Shrink Tube
- (1) 1" Shrink Tube

Items includes (Jumper)

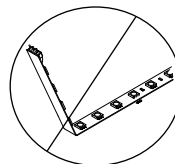
- (1) 6" Lead wire
- (1) 6" Solder
- (2) 2" Shrink Tube
- (2) 1" Shrink Tube

3 Place shrink tube. Steps 1 - 5

4 For jumper : repeat step 2 and 3



NOTE: Always test LED operation before installing. Connect LED to power supply to ensure it is working properly and all non factory soldered connections are secure.



• Avoid bending tapelight in sharp horizontal angles which may damage the LEDs.